

Name of Work: Providing alternate sewerage facilities to the affected colonies by backflow of storm water mixed with sewage in adjoining areas of Nilamangai nagar in Alandur municipality.

Contract No. CNT/SEW/DEP/2049A/2010-2011

CHECK LIST FOR THE GUIDANCE OF THE CONTRACTOR

I	The Tender schedule for the above work consists of 41 pages as detailed below:	
	(i)	Checklist for the guidance of the Contractors, details of Bonus clauses Page – 1-6
	(ii)	Notice Inviting Tender Page - 7
	(iii)	Special Instructions to bidders for e-submission Page – 8- 10
	(iv)	Letter of Tender 2 pages Page – 11-12
	(v)	Price schedule Page – 13 - 14
	(vi)	Work schedule containing details of Works Page –15-32
	(vii)	Information on Financial Capability Page –33
	(viii)	Mile stone Page -34
	(ix)	Drawings - 7 Nos
II	1	The total number of items in the work schedule – 137 Nos and the departmental value works out to Rs. 94,60,234.16
	2.	Tenderers are requested to sign all pages in the tender schedule and must sign letter of tender. Tenders which do not have the Signature of the Tenderer in letter of tender will be summarily rejected.
	3.	Technical specification of the equipment offered by the Bidders and any other information related to the bid may be enclosed along with Tender Schedule after duly Signing in all the pages.
	4.	Bidders are requested to verify the number of pages in the tender schedule, number of items in the work schedule. Any clarification and further information required may be obtained from the Office of the Contracts and Monitoring wing on any working day.
	5.	The present tender document contains detailed estimate and price schedule. The tenderers are requested to quote the percentage variation over the departmental value in words and figures in any one of the forms in price schedule.
	6.	<u>Eligibility :</u> Contractors registered in CMWSSB in Class- I A & IVB and above (i.e. those who are eligible to take up the work costing above Rs.75.00 lakh) are eligible to tender for this work. Contractors registered in other departments and undertakings of the Central or State Government in the corresponding class for taking up such work, who have executed similar works of the same or higher magnitude are also eligible to tender for this work. Contractors not Registered in the Board and who intend to participate in the tender, subject to their eligibility as above are requested to obtain a copy of the Standard tender document from the Office of the Superintending Engineer (Contracts & Monitoring wing) before submitting their Tender. They should furnish Proof for their registration in the appropriate class and experience as indicated above while submitting their tenders, otherwise their tenders will be treated as non responsive. The tender received from ineligible contractors will be treated as non responsive. However the successful tenderer will have to get him self registered in the Board in the appropriate class.

Signature of Tenderer with Seal

Name of Work: Providing alternate sewerage facilities to the affected colonies by backflow of storm water mixed with sewage in adjoining areas of Nilamangai nagar in Alandur municipality.

Contract No. CNT/SEW/DEP/2049A/2010-2011

7.	EMD in the form of Demand Draft or Bankers Cheque or Pay Order drawn from Nationalised / Scheduled Bank / TNSC Bank in favour of CMWSS Board, should be enclosed in a separate cover superscribed " EMD for contract No. CNT/SEW/DEP/2049A/2010-2011 Tenderers having Current Account with ICICI Bank may make payment online through ICICI Bank gateway for e-submission of tender. Tenders not accompanied by a separate cover containing EMD in the specified form will not be considered for evaluation.
8.	<u>SECURITY DEPOSIT</u> Security Deposit will be collected from the successful Tenderer in the following form and manner within 14 days from the date of receipt of work order: a). Form in which S.D. collected. In the shape of NSC/NSS/KVP/Post office Term Deposits valid for the required contract period and pledged in favour of Managing Director, CMWSS Board and shall have the necessary transfer endorsement of the Post Office. (OR) Fixed Deposit for the required period from nationalized/schedule Bank/TNSC Bank in favour of Managing Director, CMWSS Board. (OR) Certified cheque/Bank Draft or Pay Order in favour of CMWSS Board payable at Chennai.
b)	The value of Security Deposit will be as follows
i)	for tenders with any plus percentage and upto (-)5% over departmental value – 2% of the contract value.
ii)	for tenders between (-) 5% to (-)15% over departmental value -- 4% of the contract value.
iii)	for tenders, above (-)15% over departmental value --- 5% of the contract value.
9.	All duties, taxes and other levies payable by the contractor under the contract or for any other cause shall be included in the rates, prices and total quoted rates submitted by the bidder.Any statutory variations in duties/ taxes, which takes effect from a date subsequent to the due date for receipt of Tender, shall be to CMWSS Board's Account.
10.	Milestone details for completion of works and details of penalty for the non completion of work are furnished in the Milestone at Page No.34 . Tenderers are requested to take note of the details. The above details will be incorporated in the contract documents while executing agreement.
11.	<u>Tender Validity</u> Tenders shall remain valid for a period of not less than (90 days) ninety days after the due date for bid submission. A tender valid for a shorter period shall be rejected by the Employer as non-responsive.
12.	No cheque will be accepted towards Earnest Money Deposit.
13.	Tenders with conditions are liable for rejection.
14.	The defects liability period is as follows:

Signature of Tenderer with Seal

Name of Work: Providing alternate sewerage facilities to the affected colonies by backflow of storm water mixed with sewage in adjoining areas of Nilamangai nagar in Alandur municipality.

Contract No. CNT/SEW/DEP/2049A/2010-2011

		(a) For Pipe line Works - Five Years (b) For Civil Works - Five Years (c) For Electrical & Mechanical - Three Years
15		The rates and prices quoted by the bidder shall be fixed during the performance of the Contract except for Cement, Steel, POL components involved in this work which are subject to adjustment in accordance with the provisions of Clause 16 as detailed below.
16.		<p>Price Adjustment</p> <p>16.1. Contract price shall be adjusted for increase or decrease in rates and price of Cement , Steel, POL in accordance with the following principles and procedures and as per formula given below:</p> <p>(a) The price adjustment shall apply for the work done from the start date and upto end of the initial intended completion date or extensions granted by the Engineer and shall not apply to the work carried out beyond the stipulated time for reasons attributable to the contractor.</p> <p>(b) The price adjustment shall be determined during each quarter from the formula as given below</p> <p>(c) Following expressions and meanings are assigned to the work done during each quarter: $R =$ Total value of work done during the quarter based on the Contract value. It would also include the amount of secured advance for materials paid for (if any) during the quarter, less the amount of the secured advance recovered, during the quarter. It will exclude value for works executed under variations for which price adjustment will be worked separately based on the terms mutually agreed.</p> <p>(d) Price adjustment will apply only when the fluctuation of rates exceeds by 3% compared to the estimate rates (based on RBI Index Price). Should be applied on each items of material individually / separately. Price adjustment shall be made for both increase and decrease in the cost of materials.</p> <p>(e) The percentage of components of inputs to be utilized in the work in each quarter between two milestones are given below. Due to delays not attributed to the Contractor, the Contractor may be allowed to execute the work in the subsequent quarter without imposing penalty. Also, if the index in the quarter in which the work has been carried out increases / decreases, Price adjustment clause governs the same.</p> <p>(f) Price adjustment will be applicable for only those quantities which would be utilized to achieve the work as per milestone schedule as given in the contract data. However, if a certain quantity of work to be completed in a quarter, is completed in the succeeding quarter, the price adjustment can be claimed on that quantity at the rates applicable for the intended quarter only. If there is any decrease in the price index in the prevailing(subsequent) quarter, while the carried</p>

Signature of Tenderer with Seal

Name of Work: Providing alternate sewerage facilities to the affected colonies by backflow of storm water mixed with sewage in adjoining areas of Nilamangai nagar in Alandur municipality.

Contract No. CNT/SEW/DEP/2049A/2010-2011

	<p>forward work is executed and measurements therefore are recorded, the payment for such carried forward works will be regulated as per the applicable price index during the prevailing/current quarter, (i.e.) at reduced price and not at the enhanced price index which might have prevailed during the relevant previous/earlier quarter in which the works should have been completed as per the prescribed milestone.</p> <p>16.2 To the extent that full compensation for any rise or fall in costs to the contractor is not covered by the provisions of this or other clauses in the contract, the unit rates and prices included in the contract shall be deemed to include amounts to cover the contingency of such other rise or fall in costs.</p>
	<p>The formula(e) for adjustment of prices are:</p> <p>R = Value of work as defined in Clause 16.1 above and the percentage of components of inputs are furnished in Page No.6</p> <p><u>Adjustment for cement component</u></p> <p>(i) Price adjustment for increase or decrease in the cost of cement procured by the contractor shall be paid in accordance with the following formula.</p> $V_c = 0.85 \times P_c / 100 \times R \times (C_i - C_o) / C_o$ <p>V_c = Increase or decrease in the cost of work during the quarter under consideration due to changes in the rates for cement</p> <p>C_o = The all India average wholesale price index for cement for the quarter in which bids are opened as published by the Ministry of Commerce & Industry, Government of India, New Delhi</p> <p>C_i = The all India average wholesale price index for cement for the quarter under consideration as published by Ministry of Commerce & Industry, Government of India, New Delhi</p> <p>P_c = Percentage of cement component of the work</p> <p><u>Adjustment for steel component</u></p> <p>(ii) Price adjustment for increase or decrease in the cost of steel procured by the Contractor shall be paid in accordance with the following formula:</p> $V_s = 0.85 \times P_s / 100 \times R \times (S_i - S_o) / S_o$ <p>V_s = Increase or decrease in the cost of work during the quarter under consideration due to changes in the rates for steel</p>

Signature of Tenderer with Seal

Name of Work: Providing alternate sewerage facilities to the affected colonies by backflow of storm water mixed with sewage in adjoining areas of Nilamangai nagar in Alandur municipality.

Contract No. CNT/SEW/DEP/2049A/2010-2011

	<p>S_o = The all India average wholesale price index for steel (Bars and Rods) for the quarter in which bids are opened as published by the Ministry of Commerce & Industry, Government of India, New Delhi</p> <p>S_i = The all India average wholesale price index for steel (Bars and Rods) for the quarter under consideration as published by Ministry of Commerce & Industry, New Delhi</p> <p>P_s = Percentage of steel component of the work</p> <p>Note: For the application of this clause, index of Bars and Rods has been chosen to represent steel group.</p>
17	<p><u>Bonus for Advance completion of work</u></p> <p>Any work completed in advance by not less than 10% of the agreement period can be considered and bonus of 1% on the value of actual quantum of works executed at tendered rate may be paid.</p>
18.	<p>The financial capability of the tenderer will be calculated as follows</p> <p>Assessed Available Bid capacity = $(A \times N \times 1.5 - B)$</p> <p>Where,</p> <p>A = Maximum value of turnover in any one of the previous year updated to current year price level @ 6% per annum</p> <p>N = Number of years prescribed for completion of the work for which bids are invited.</p> <p>B = Value at current year price level, of existing commitments and on-going works to be completed during the contract period</p> <p>a. The tenderer should attach reports on the financial standing of the tender such as Balance sheet, Profit & Loss account statement certified by Chartered Accountant.</p> <p>b. The statements showing the value of existing commitments and ongoing works as well as the stipulated period of completion remaining for each of the works listed should be furnished. (As per the Format given in page no:33)</p>

Signature of Tenderer with Seal

Name of Work: Providing alternate sewerage facilities to the affected colonies by backflow of storm water mixed with sewage in adjoining areas of Nilamangai nagar in Alandur municipality.

Contract No. CNT/SEW/DEP/2049A/2010-2011

The following percentage of components of input to be utilized in the whole of work in each quarter is as follows:

S.no	Description	Quarter-I 1-4 months	Quarter-II 5-8 months	Applicability of Price adjustment
		%	%	
1	Cement	3.68	3.05	Applicable
2	Steel	2.76	2.21	Applicable
3	Other Materials	13.15	13.53	Not Applicable
4	Labour	50.29	41.16	Not applicable
5	Pipes & Specials	30.12	26.8	Not applicable
6	Plants & Machinery	--	13.25	Not applicable
	Total	100	100	

The price adjustment clause will be applicable for Cement and Steel only.

Signature of Tenderer with Seal

Name of Work: Providing alternate sewerage facilities to the affected colonies by backflow of storm water mixed with sewage in adjoining areas of Nilamangai nagar in Alandur municipality.

Contract No. CNT/SEW/DEP/2049A/2010-2011

CHENNAI METROPOLITAN WATER SUPPLY AND SEWERAGE BOARD
NO.1, PUMPING STATION ROAD, CHINTADRI PET, CHENNAI-600 002.
NOTICE INVITING TENDER
LOCAL COMPETITIVE BIDDING

Sealed tenders are invited from the eligible tenderers for the following work:

Sl. No	Name of Work and Contract No.	Due Date and time of bid submission	Approximate value of Tender Rs/ Lakh	E.M.D. in Rs.	Tender schedule available From - To	Eligibility	Contract Period
1.	Providing alternate sewerage facilities to the affected colonies by backflow of storm water mixed with sewage in adjoining areas of nilamangai nagar in alandur municipality CNT/SEW/DEP/2049A/2010-2011	24.11.2010 up to 3.00 PM	94.60	57,350/-	04.11.2010 to 23.11.2010	Class I A and IV B and above	8 months
2.	Date & time for opening of tenders	on 24.11.2010 after 3.00 PM					
3.	Availability of Tender Schedule in person	Information & Facilitation Officer, CMWSS Board, No.1, Pumping Station Road, Chintadripet, Chennai-600002, (Telephone: 044-28451300, Extn. 227)					
4.	Through Website	www.chennaietrowater.tn.nic.in & www.tenders.tn.gov.in Downloaded documents may be used for bid submission at free of cost.					
5.	Cost of Tender Schedule	Free of cost. The document will also be sent by surface mail on an extra advance payment of Rs.500/- per set.					
6.	Address for information and clarifications and for receipt of tenders	Office of Superintending Engineer, Contracts & Monitoring, 4 th Floor, CMWSS Board, Chennai – 600 002 Phone No. 044-2845 1300, Extn. 253 FAX : 044-2845 4336					
7.	e-bid submission & portal	Permitted through portal www.tntenders.gov.in					

SUPERINTENDING ENGINEER
(CONTRACTS & MONITORING)

Signature of Tenderer with Seal

Name of Work: Providing alternate sewerage facilities to the affected colonies by backflow of storm water mixed with sewage in adjoining areas of Nilamangai nagar in Alandur municipality.

Contract No. CNT/SEW/DEP/2049A/2010-2011

SPECIAL INSTRUCTIONS TO BIDDERS FOR E-BID SUBMISSION

The above tender notice is also available on the web site www.tntenders.gov.in. This site permits downloading of the tender documents at free of cost. The intending tenderers may visit this site and download the tender document at free of cost and use it for tender submission.

The tenderer is also permitted to upload the tender on the web site using the e-token.

The following list of items is to be uploaded by the tenderer (or) bidder within the date & time of submission of bids.

1. Earnest Money Deposit

In case of offline payment, scanned copy of the Demand Draft/ Pay Order / Banker's Cheque in the acceptable manner as mentioned in the tender schedule.

Tenderers having Current Account with ICICI Bank may make payment online through ICICI Bank gateway.

2. Letter of Tender: Should be signed & the scanned copy of the signed Letter of Tender, along with the relevant documents in PDF format as one file.

The originals for the above (Item No. 1&2) should be posted/couriered/given in person to the Tender Inviting Authority, within the bid submission date & time for the tender.

3. Schedule of Works / Bill of Quantities: The Bidder has to fill the rates in figures in the columns provided in Bill of Quantities in excel form and uploaded as boq.xls file. The signed copy of the above BOQ may also be scanned and converted into pdf and uploaded. The Bill of Quantities file (i.e. Excel) has macros. The Security settings in Excel program (via : Tools/Options/Security) should be set to Medium or Low to open the file. When excel prompts with "Disable / Enable Macros", Choose Enable Macros.

All documents should be digitally signed using bidder's digital signature certificate prior to uploading through the Govt. Tenders portal

The Digital Signature Certificate/ e- token may be obtained from one of the authorised Digital Certifying Authorities such as SIFY, nCode & TCS at the risk and cost of the bidder.

During e-submission of tenders, the following special cares are to be taken:

- 1) Bidder should do the registration in the tender site using the option available. Then the Digital Signature registration has to be done with the e-token, after logging into the site.
- 2) Bidder then login to the site thro' the secured log in by giving the password of the e-token & then the user id/ password chosen during registration.

Signature of Tenderer with Seal

Name of Work: Providing alternate sewerage facilities to the affected colonies by backflow of storm water mixed with sewage in adjoining areas of Nilamangai nagar in Alandur municipality.

Contract No. CNT/SEW/DEP/2049A/2010-2011

- 3) The e-token that is registered should be used by the bidder and should not be misused by others.
- 4) After getting the tender schedules, the Bidder should go thro' them carefully and then submit the documents as asked, otherwise, the bid will be rejected.
- 5) If there are any clarifications, this may be obtained online thro' the tender site, or thro' the contact details. Bidder should take into account of the corrigendum published before submitting the bids online.
- 6) Bidder, in advance, should get ready the bid documents to be submitted as indicated in the tender schedule and they should be in PDF format and BOQ in Excel (.xls) format. If there is more than one document, they can be clubbed together.
- 7) Bidder should get ready the EMD as specified in the tender. The original should be posted/couriered/given in person to the Tender Inviting Authority, within the bid submission date & time for the tender.
- 8) The bidder read the terms & conditions and accepts the same to proceed further to submit the bids.
- 9) The bidder has to select the payment option as online/offline to pay the fee & EMD as applicable.
- 10) Bidders having current account with ICICI may make the EMD payment online thro' the ICICI payment gateway during the e-submission of the tender.
- 11) In the case of offline payment, the details of the DD/any other accepted instrument, physically sent, should tally with the details available in the scanned copy and the data entered during bid submission time. Otherwise the bid submitted will not be acceptable.
- 12) The rates offered details have to be entered separately against the specified place in the downloaded spread sheet file (.xls) and should be submitted as boq.xls file during the e-bid submission.
- 13) The bidders are requested to enter the individual rates offered in the boq.xls file considering all aspects inclusive of any rebates, etc. No separate rebate or discount should be entered at the end of BOQ. The uploaded boq.xls will not be available for subsequent modification.
- 14) The bidders can submit the bids only once and thereafter, it is not possible to make changes in the bids submitted.
- 15) The tendering system will give a successful bid updation message after uploading all the bid documents submitted & then a bid summary will be shown with the bid number & the date & time of submission of the bid with all other relevant details. The documents submitted by the bidders will be digitally signed with the e-token of the bidder and then submitted

Signature of Tenderer with Seal

Name of Work: Providing alternate sewerage facilities to the affected colonies by backflow of storm water mixed with sewage in adjoining areas of Nilamangai nagar in Alandur municipality.

Contract No. CNT/SEW/DEP/2049A/2010-2011

- 16) The bid summary has to be printed and kept as an acknowledgement as a token of the submission of the bid.
- 17) The bid summary will act as a proof of bid submission for a tender floated and will also act as an entry point to participate in the bid opening date.
- 18) For any clarifications with the TIA, the bid number can be used as a reference.
- 19) Bidder should log into the site well in advance for bid submission so that he submits the bid in time i.e on or before the bid submission time. If there is any delay, due to other issues, bidder only is responsible.
- 20) Each document to be uploaded thro' online for the tenders should be less than 2 MB. If any document is more than 2MB, it can be reduced thro' zip and the same can be uploaded. However if the file size is less than 1 MB the transaction uploading time will be very fast.
- 21) The time settings fixed in the server side & displayed at the top of the tender site, will be valid for all actions of requesting, bid submission, bid opening etc., in the e-tender system. The bidders should follow this time during bid submission.
- 22) All the data being entered by the bidders would be encrypted using PKI encryption techniques to ensure the secrecy of the data. The data entered will not viewable by unauthorized persons during bid submission & not be viewable by any one until the time of bid opening. Overall, the submitted tender documents become readable only after the tender opening by the authorized authority.

For any other queries, the bidders are asked to contact thro'

Mail: secm@chennaietrowater.com

Phone no.: 044-28451300-320, Extn. 209 or 255 well in advance

This Department will not be held responsible for any sort of delay or the difficulty faced in the e-bid submission of tenders online by the bidders.

SUPERINTENDING ENGINEER(C&M)

Signature of Tenderer with Seal

Name of Work: Providing alternate sewerage facilities to the affected colonies by backflow of storm water mixed with sewage in adjoining areas of Nilamangai nagar in Alandur municipality.

Contract No. CNT/SEW/DEP/2049A/2010-2011

LETTER OF TENDER

To be delivered to the Superintending Engineer, C&M Chennai Metropolitan Water Supply and Sewerage Board at or before **3.00 P.M. on 24.11.2010**

To

The Managing Director
Chennai Metropolitan Water Supply & Sewerage Board
Chennai- 600 002

Sir,

I/We the undersigned do hereby tender and undertake to perform, provide and execute all the works, materials matters and things described or mentioned in the Schedule (Bill of quantities) hereto annexed and the specifications thereto and drawings therein referred to (which have been produced to and carefully examined by me/us) in strict accordance with and under and subject to the terms, provisions and conditions set forth or mentioned in the said Schedule (Bills of Quantities) specifications and the drawings therein referred to, at the rates given and as stated in the Bills of quantities.

I/We herewith enclose Demand Draft/ Bankers Cheque/ Pay Order No..... dated as a guarantee for the due fulfillment of my/our tender, and if successful, undertake and agree to forward to the Board within fourteen days after the notification of the acceptance by the Board of this tender has been received by me/us, the sum as demanded in the Form and manner required as security for the due fulfillment of my/our contract.

I/we undertake and agree that I/We will not withdraw this tender during the period that will be required for intimation, acceptance or non/acceptance as stipulated in the Tender or during such extended period as agreed to by me/us, such period to date from the last date by which tenders are due to be submitted to the Board and if I/We do so withdraw, I/We shall forfeit the Earnest Money Deposit to the Board.

I/We further undertake to produce the Income-tax Clearance Certificate and the certificate and the Sales Tax Verification Certificate from the Commercial Tax Department of this State and agree to execute at my/our cost the agreement attached and to sign the plans therein referred to within 14 days after the notification of the acceptance of my/our tender has been received by me/us. In the event of my/our failing to make the Security Deposit or to execute the agreement in the said manner and sign the plans within the time specified for the purpose, the sum of **Rs. 57,350/-** accompanying this tender shall be forfeited to the Board and this concluded contract shall in such case be considered, as having been cancelled or terminated and you may thereupon at such time or times, in such manner and on such terms as you may think fit, arrange either departmentally or by any other person or persons to carry out the works and provide, execute and do all works, materials, matters and things described or mentioned herein and I/We agree to be liable irrespective of the forfeiture aforesaid for all

Signature of Tenderer with Seal

Name of Work: Providing alternate sewerage facilities to the affected colonies by backflow of storm water mixed with sewage in adjoining areas of Nilamangai nagar in Alandur municipality.

Contract No. CNT/SEW/DEP/2049A/2010-2011

damages, losses, costs, charges and expenses arising from or by reason of such failure and arrangements.

I/We undertake to assume full responsibility for the stability and soundness of the Works/structures that will be executed by me/us as per this contract.

I/We also undertake to do all extra or varied works which may be ordered as part of this contract upon the terms provided for in the conditions and specifications. The tenders shall be valid for a period of 90 days from the next day of last date fixed for receipt of tenders .In case my/our tender for the work of **“Providing alternate sewerage facilities to the affected colonies by backflow of storm water mixed with sewage in adjoining areas of Nilamangai Nagar in Alandur Municipality.”**, is accepted, I/We agree and guarantee to commence the said works within a period of seven days from the date and complete the entire work within the stipulated period of **8** months from the date on which the work order received by me/us. I/We also agree that time is the essence of contract. I/We have actually inspected the site of works and have tendered for the works after such inspection.

UNDERTAKING

I/We have gone through the copy of standard tender document received from the Office of the Contracts and Monitoring wing and abide by the same for this contract also.

As witness my/our hand this.....day of.....2010.

Signature.....

Name and
Address
of tenderer

Signature of Tenderer with Seal

Name of Work: Providing alternate sewerage facilities to the affected colonies by backflow of storm water mixed with sewage in adjoining areas of Nilamangai nagar in Alandur municipality.

Contract No. CNT/SEW/DEP/2049A/2010-2011

PRICE SCHEDULE

1. This tender has been called for in the percentage tender system. In the work schedule, detailed items of works involved in the work with specifications along with the quantity, the departmental rates and amount for individual items are furnished. The total value of the work is also furnished.
2. The tenderers are requested to quote the percentage variation over the total departmental value, which will be applicable for all items of works, individually and uniformly at which they are willing to execute the works, in the following format.

Signature of Tenderer with Seal

Name of Work: Providing alternate sewerage facilities to the affected colonies by backflow of storm water mixed with sewage in adjoining areas of Nilamangai nagar in Alandur municipality.

Contract No. CNT/SEW/DEP/2049A/2010-2011

FILL UP ANYONE OF THE FORM NO:A, B or C
STRIKE OUT THE FORM WHICH IS NOT APPLICABLE.

FORM NO:A

I / We agree to execute the work of **“Providing alternate sewerage facilities to the affected colonies by backflow of storm water mixed with sewage in adjoining areas of Nilamangai nagar in Alandur Municipality.”** with a tender percentage of (-) Minus-----
------(in words) -----(in figures) over departmental value of Rs. 94,60,234.16 as furnished in the work schedule which is also applicable for all items of works, individually and uniformly over the departmental rates, furnished in the work schedule.

FORM NO. B

I / We agree to execute the work of **“Providing alternate sewerage facilities to the affected colonies by backflow of storm water mixed with sewage in adjoining areas of Nilamangai nagar in Alandur Municipality”** at the department value of Rs. 94,60,234.16 for all items of work furnished in the schedule.

FORM NO:C

I / We agree to execute the work of **“Providing alternate sewerage facilities to the affected colonies by backflow of storm water mixed with sewage in adjoining areas of Nilamangai nagar in Alandur Municipality”** with a tender percentage of (+) Plus -----
------(in words) ----- (in figures) over departmental value of Rs. 94,60,234.16 as furnished in the work schedule which is also applicable for all items of works, individually and uniformly over the departmental rates, furnished in the work schedule.

NOTE:

1. The Tenderers are requested to strike out the form which is not applicable
2. If any two or three forms are filled by the Tenderers the LOWEST percentage quoted by the tenderer will be considered.
3. If there is any discrepancy in percentage quoted in words and in figures the lowest percentage quoted will be considered.
4. If the tenderer failed to fill/strike out any or all of the form, the department value will be taken as quoted rate.

Signature of Tenderer with Seal

ABSTRACT

Name of the Work: Providing alternate sewerage facilities to the affected colonies by backflow of storm water mixed with sewage in adjoining areas of nilamangai nagar in alandur municipality

Contract No. CNT/SEW/DEP/2049A/2010-2011

Bill No	Description of works	Amount in Rs. P
I	Providing sewage collection system	6947705.50
II	Construction of sewage pumping station and allied works	
a	Construction of collection, screen cum suction well - 4.0m dia	1274784.19
b	Pipes and specials for suction well	193766.41
c	Construction of valve chamber - 3.5 m x 2 m x 2.50 m	35385.08
d	Construction of column and erection of ISLB 300 for the proposed well	48189.98
e	Supply, delivery, erection & commissioning of electrically driven non clog submersible sewage pumpsets with allied electrical works	960403.00
	Total	9460234.16

Signature of tenderer
with seal

SCHEDULE

Name of the Work: Providing alternate sewerage facilities to the affected colonies by backflow of storm water mixed with sewage in adjoining areas of nilamangai nagar in alandur municipality

Contract No. CNT/SEW/DEP/2049A/2010-2011

SI No.	Description of works	No.or Qty	Unit	Rate per Unit in Rs. P	unit	Amount in Rs. P
	Bill NO- I :Providing sewage collection system					
1	Supplying,Laying, jointing and testing of CI spun pipes (LA class) Socket/ spigot (push-on joints) including earth work excavation for trenches in hard stiff clay, black cotton,hard red earth shales,murams, gravel,stoney earth and earth mixed with small size boulders and hard gravelly soil depositing the earth on banks, with intial lead of 10m and initial lift of 2m, lowering into the trenches,timbering,aligning,testing,bailing out subsoil water, refilling the trenches with excavated soil, watering and ramming to consolidation, disposal of surplus earth, etc., complete including the cost of jointing materials etc., complete.					
	i) 250mm dia CI pipe					
	a) at 2.5 m deep	18	m	4622.70	m	83208.60
	b) at 3.5 m deep	85	m	5399.70	m	458974.50
	c) at 4.0 m deep	30	m	5695.70	m	170871.00
	ii) 350mm dia CI pipe					
	a) at 5.0m deep	24	m	9454.60	m	226910.40
2	Supplying, laying and jointing and testing CI Spun pipes (LA class) Socket/ spigot (push-on joints) including earth work excavation in SS20B upto a depth of 5.0m and soft disintegrated rock, laterite, soft rock, kankar, not requiring blasting for depths above 5.0 m, depositing the earth on banks with initial lead of 10m and initial lift of 2m, lowering into trenches , timbering upto a depth of 5m, aligning, testing, bailing out subsoil water, refilling the trenches with excavated soil, watering and ramming to consolidation, disposal of surplus earth etc, complete including the cost of jointing materials etc, complete.					
	300mm dia CI					
	a) at 5.5m deep	5	m	10484.80	m	52424.00
	350mm dia CI					
	a) at 5.5m deep	24	m	11744.60	m	281870.40
	b) at 6m deep	83	m	11864.60	m	984761.80
	c) at 6.5m deep	123	m	12655.60	m	1556638.80
	d) at 7.0m deep	86	m	12803.60	m	1101109.60
	e) at 7.50m deep	44	m	12951.60	m	569870.40

Signature of tenderer
with seal

SCHEDULE

Name of the Work: Providing alternate sewerage facilities to the affected colonies by backflow of storm water mixed with sewage in adjoining areas of nilamangai nagar in alandur municipality

Contract No. CNT/SEW/DEP/2049A/2010-2011

SI No.	Description of works	No.or Qty	Unit	Rate per Unit in Rs. P	unit	Amount in Rs. P
	Bill NO- I :Providing sewage collection system					
3	Cement concrete 1:3:6 using 40mm gauge hard broken stone jelly for plain cement concrete including laying in layers of not more than 15cm thick including ramming, curing etc., complete works for End concreting.	11	cum	2192.00	cum	24112.00
4	Construction of rectangular manhole of size 1.05m x 0.9m at the following depth to invert including earth work excavation as per SS20B, laying cement concrete in cement mortar 1:3:6 using 40mm BG jelly for foundation, pumping, timbering charges for 2.5m depth and above, stock brick work in CM 1:3, for 23cm thick wall and over 23cm thick wall, plastering interior with CM 1:3, 20mm thick and exteior with CM 1:3, 12mm thick, laying plain cement concrete 1:3:6 using 12 to 20mm BG jelly, fixing the frame, providing CI steps, manhole cover and frame, benching and channeling including refilling the trench with excavated earth and disposal of surplus earth etc. complete for the following depth					
	a) at 2.5 m deep	4	nos	21397.00	each	85588.00
5	Construction of circular manhole of 1.25m diameter at the following depth to invert including earth work excavation as per SS20B, laying cement concrete in cement mortar 1:3:6 using 40mm BG jelly for foundation, pumping, timbering charges , stock brick work in CM 1:3, for 23cm thick wall and over 23cm thick wall, plastering interior with CM 1:3, 20mm thick and exteior with CM 1:3, 12mm thick, laying plain cement concrete 1:3:6 using 12 to 20mm BG jelly, fixing the frame, providing CI steps, manhole cover and frame, benching and channeling including refilling the trench with excavated earth and disposal of surplus earth etc. complete for the following depths					
	b) at 3.5m deep	4	nos	30127.00	each	120508.00

Signature of tenderer
with seal

SCHEDULE

Name of the Work: Providing alternate sewerage facilities to the affected colonies by backflow of storm water mixed with sewage in adjoining areas of nilamangai nagar in alandur municipality

Contract No. CNT/SEW/DEP/2049A/2010-2011

SI No.	Description of works	No.or Qty	Unit	Rate per Unit in Rs. P	unit	Amount in Rs. P
	Bill NO- I :Providing sewage collection system					
6	Construction of circular manholes of size 1.25m diameter at various depths to invert including earth work excavation as per SS20B upto a depth of 5.0m and for above 5m of depth in soft disintegrated rock , laterite, soft rock, kankar, not requiring blasting,, laying cement concrete in CM 1:3:6 using 40mm BG jelly for foundation, pumping, timbering charges upto 5m depth, stock brick work in CM 1:3, for 23cm thick wall and over 23cm thick wall, plastering interior with CM 1:3, 20mm thick and exteior with CM 1:3, 12mm thick, laying plain cement concrete 1:3:6 using 12 to 20mm BG jelly, fixing the frame, providing CI steps, manhole cover and frame, benching and channeling including refilling the trench with excavated earth and disposal of surplus earth etc. complete for the following depths. (as per data enclosed)					
	a) at 5.50m deep	3	nos	47759.00	each	143277.00
	b) at 6.0m deep	3	nos	50929.00	each	152787.00
	c) at 6.50m deep	5	nos	53907.00	each	269535.00
	d) at 7.0m deep	3	nos	57723.00	each	173169.00
	e) at 7.50m deep	3	nos	61345.00	each	184035.00
7	Barrication work along one side of the trench for laying the pipeline with casuarina post at 1.52m centre to centre (8 to 10cm dia. and 1.52m height) verticals, painting the vertical posts in different colours, teing with coir rope, fixing danger flags, danger lights, reflectors including watching during night for 1m	1044	m	17.00	m	17748.00
8	Cuttting asphaltic road (non bus route)	812	Sq.m	34.00	Sq.m	27608.00

Signature of tenderer
with seal

SCHEDULE

Name of the Work: Providing alternate sewerage facilities to the affected colonies by backflow of storm water mixed with sewage in adjoining areas of nilamangai nagar in alandur municipality

Contract No. CNT/SEW/DEP/2049A/2010-2011

SI No.	Description of works	No.or Qty	Unit	Rate per Unit in Rs. P	unit	Amount in Rs. P
	Bill NO- I :Providing sewage collection system					
9	<u>Transferring of existing House Service Connections</u> Supplying, Laying, jointing and testing 100mm dia SW pipe including earth work excavation for trenches in hard stiff clay, stiff black cotton,hard red earth, shales, murams, gravel,stone earth and earth mixed with small size boulders and hard gravelley soil, depositing the earth on banks with intial lead of 10m, lowering the pipes into the trenches, aligning, refilling the trenches with excavated earth in layers of not more than 23cm thick watering, ramming to consolidation and disposal of surplus earth etc., complete at an average depth of 2.0m.	600	m	226.00	m	135600.00
10	Pumping of sewage from one manhole to another manhole using diesel pumpset of capacity 7.5 HP including cost of labour and consumables for 20 hours pumping per day as directed at site	1000	hrs	121.00	hr	121000.00
11	Cutting of CI pipe					
	250mm dia	6	nos	106.00	each	636.00
	300mm dia	1	no	121.00	each	121.00
	350mm dia	12	nos	136.00	each	1632.00
12	Providing temporary obstruction masonry works (using cement mortar 1:6) to the existing 200mm dia and 300mm dia sewers at 2.5m and 5.5m depths respectively including sporting of protective wear, necessary tools and tackles for labour working in unhygienic conditions etc., complete as directed at site.	5.0	nos	534.00	each	2670.00
13	Removal of obstruction masonry works in 200mm dia and 300mm dia sewers at 2.5m and 5.5m depths respectively including sporting of protective wear, necessary tools and tables for labour working in unhygienic conditions etc., complete as directed at site.	5.0	nos	208.00	each	1040.00
	Total					6947705.50

Signature of tenderer
with seal

SCHEDULE

Name of the Work: Providing alternate sewerage facilities to the affected colonies by backflow of storm water mixed with sewage in adjoining areas of nilamangai nagar in alandur municipality

Contract No. CNT/SEW/DEP/2049A/2010-2011

SI No.	Description of works	No.or Qty	Unit	Rate per Unit in Rs. P	unit	Amount in Rs. P
Bill No II a :CONSTRUCTION OF COLLECTION, SCREEN CUM SUCTION WELL - 4.0M DIA						
1	Earthwork excavation in hard stiff clay, stiff black cotton, hard red earth, shales, Muram, gravel, stoney earth and earth mixed with small size boulders as per S.S. 20-B.with initial lead of 10m and lift of 2.0m suitable to construct a well of diameter 4m and wall thickness of 0.4m.					
a	For 0 to 2 m depth	70.00	Cu.m	34.80	Cu.m	2436.00
b	For 2 to 3 m depth	33.00	Cu.m	38.40	Cu.m	1267.20
c	For 3 to 4 m depth	33.00	Cu.m	42.00	Cu.m	1386.00
d	For 4 to 5 m depth	33.00	Cu.m	45.60	Cu.m	1504.80
2	Earth work excavation in soft disintegrated rock, laterite, soft rock or kankar not requiring blasting.and depositing on bank with initial lead of 10m and lift of 2m suitable to construct a well of diameter 4m and wall thickness of 0.4m					
a	For 5 to 6 m depth	27.00	Cu.m	60.00	Cu.m	1620.00
b	For 6 to 7 m depth	27.00	Cu.m	63.25	Cu.m	1707.75
c	For 7 to 8 m depth	27.00	Cu.m	66.50	Cu.m	1795.50
d	For 8 to 9 m depth	27.00	Cu.m	69.75	Cu.m	1883.25
e	For 9 to 10 m depth	27.00	Cu.m	73.00	Cu.m	1971.00
f	For 10 to 11 m depth	3.00	Cu.m	76.25	Cu.m	228.75
3	Providing timbering for earth work excavation suitable for a well of clear dia 4.0m including cost of timbering and labour charges upto a depth of 5m etc., complete as directed at site.	1.00	No	27760.00	each	27760.00

Signature of tenderer
with seal

SCHEDULE

Name of the Work: Providing alternate sewerage facilities to the affected colonies by backflow of storm water mixed with sewage in adjoining areas of nilamangai nagar in alandur municipality

Contract No. CNT/SEW/DEP/2049A/2010-2011

SI No.	Description of works	No.or Qty	Unit	Rate per Unit in Rs. P	unit	Amount in Rs. P
Bill No II a :CONSTRUCTION OF COLLECTION, SCREEN CUM SUCTION WELL - 4.0M DIA						
4	Providing form work with centering for soffits of reinforced cement concrete slabs or plain surfaces including strutting upto 3m above and 3m below GL for RCC well curb and well steining	110.58	Sq.m	458.00	Sq.m	50645.64
	3-4m	27.65	Sq.m	473.00	Sq.m	13078.45
	4-5m	27.65	Sq.m	488.00	Sq.m	13493.20
	5-6m	27.65	Sq.m	503.00	Sq.m	13907.95
	6-7m	27.65	Sq.m	518.00	Sq.m	14322.70
	7-8m	27.65	Sq.m	533.00	Sq.m	14737.45
	8-9m	27.65	Sq.m	548.00	Sq.m	15152.20
	9-10m	27.65	Sq.m	563.00	Sq.m	15566.95
	10-11m	2.76	Sq.m	578.00	Sq.m	1595.28
5	Providing and laying in position machine batched, machine mixed and machine vibrated design mix. cement concrete of M25 grade for reinforced cement concrete structural elements under controlled water cement ratio with plasticiser using 20mm and down graded machine broken granite stone jelly excluding the cost of centering and shuttering and reinforcement but including curing, etc. as per standard specification and as directed at site					
a)	Up to 1.5m Below ground level & 1m above GL	14.00	Cu.m	3291.00	Cu.m	46074.00
b)	From 1.5m to 4.5m Below ground level	17.00	Cu.m	3327.60	Cu.m	56569.20

Signature of tenderer
with seal

SCHEDULE

Name of the Work: Providing alternate sewerage facilities to the affected colonies by backflow of storm water mixed with sewage in adjoining areas of nilamangai nagar in alandur municipality

Contract No. CNT/SEW/DEP/2049A/2010-2011

SI No.	Description of works	No.or Qty	Unit	Rate per Unit in Rs. P	unit	Amount in Rs. P
Bill No II a :CONSTRUCTION OF COLLECTION, SCREEN CUM SUCTION WELL - 4.0M DIA						
c)	From 4.5m to 9.0m Below ground level	24.00	Cu.m	3364.20	Cu.m	80740.80
d)	From 9.0m to 13.5m Below ground level	9.10	Cu.m	3437.40	Cu.m	31280.34
6	Plugging the bottom of the well using C.C 1:3:6 using 40mm gauge hard broken stone jelly for plain cement concrete works including laying in layers of not more than 15cm thick including ramming curing etc complete i) 9m to 13.5m depth	1.20	Cu.m	2338.40	Cu.m	2806.08
7	Supplying, fabricating and laying in position MS or RTS rods for RCC works including cost of Reinforcement, binding wire, cutting bending , cranking and tying, in position with binding wire assembly etc complete. For mild steel/RTS (all sizes)	6000.00	kg	43.00	kg	258000.00
8	Plastering with C.M.1:3 for 20mm thick including curing etc complete.(well inner)	136.00	Sq.m	151.00	Sq.m	20536.00
9	Plastering with C.M.1:3 for 12mm thick including curing etc complete.(well outer)	21.00	Sq.m	81.00	Sq.m	1701.00
10	Refilling with excavated soil (other than sand) complying with standard specifications for filling in foundations & basement.	59.00	Cu.m	12.20	Cu.m	719.80
11	Disposal of surplus earth	237.00	Cu.m	59.70	Cu.m	14148.90
12	Supplying and fixing C.I.steps.	33.00	nos	177.00	each	5841.00
13	Colour washing two coats over one coat white washing	21.00	Sq.m	20.00	Sq.m	420.00

Signature of tenderer
with seal

SCHEDULE

Name of the Work: Providing alternate sewerage facilities to the affected colonies by backflow of storm water mixed with sewage in adjoining areas of nilamangai nagar in alandur municipality

Contract No. CNT/SEW/DEP/2049A/2010-2011

SI No.	Description of works	No.or Qty	Unit	Rate per Unit in Rs. P	unit	Amount in Rs. P
Bill No II a :CONSTRUCTION OF COLLECTION, SCREEN CUM SUCTION WELL - 4.0M DIA						
14	Supply and erection of Cast Iron single faced manually operated rising type 400mm dia penstock conforming to relevant IS with IS markings on it, having cast iron door and frame with Gunmetal seating, spindle made of Stainless steel, CI head stock with gear arrangement and hand wheel fitted in well	1.00	no	116987.00	each	116987.00
15	Supplying and fixing SS screen. The screen shall be fabricated out of stainless steel flats of 50 x 10mm. The outer frame also shall be of 50 x 10mm fixed inside the well for seating the screen. The screen shall be so fabricated that the inclined portion of the screen is fixed and the horizontal portion of the screen is a removable one (for lifting the pump for maintenance purpose).	1.00	no	320000.00	each	320000.00
16	Supply and installation of SS open mesh flooring with 25x6mm thick flats for outer frame and 25x3mm SS and 12x3mm SS flats spaced at 30mm and 60mm respectively forming a mesh over half the surface of the well . (As per the drawing enclosed)	1.00	no	47000.00	each	47000.00

Signature of tenderer
with seal

SCHEDULE

Name of the Work: Providing alternate sewerage facilities to the affected colonies by backflow of storm water mixed with sewage in adjoining areas of nilamangai nagar in alandur municipality

Contract No. CNT/SEW/DEP/2049A/2010-2011

SI No.	Description of works	No.or Qty	Unit	Rate per Unit in Rs. P	unit	Amount in Rs. P
Bill No II a :CONSTRUCTION OF COLLECTION, SCREEN CUM SUCTION WELL - 4.0M DIA						
17	Providing Fusion Bonded Epoxy coating not less than 175microns thickness and upto 300 microns to reinforcement of all diameters as per IS 13620/1993 including testing of coating at plant.The cost is inclusive of cost on account of careful handling, PVC coated binding wires, touchup material supplied by coating agency, repair work, loading, unloading and strengthening of bent rods etc., complete as per specification and as directed by the Engineer in charge. (inclusive of all taxes)	6.00	mT	12650.00	mT	75900.00
Total						1274784.19

Signature of tenderer
with seal

SCHEDULE

Name of the Work: Providing alternate sewerage facilities to the affected colonies by backflow of storm water mixed with sewage in adjoining areas of nilamangai nagar in alandur municipality

Contract No. CNT/SEW/DEP/2049A/2010-2011

SI No.	Description of works	No.or Qty	Unit	Rate per Unit in Rs. P	unit	Amount in Rs. P
Bill No II b: PIPES AND SPECIALS FOR SUCTION WELL						
1	Supplying and fixing the following CI specials as per IS 1538 /1986 with ISI markings on it excluding earth work excavation etc. complete.					
a	200 mm dia CI d/f pipe - 2.50 m	2.00	nos.	8352.25	each	16704.50
b	150 mm dia CI d/f pipe - 2.50 m	4.00	nos.	5817.75	each	23271.00
c	200 mm dia CI d/f pipe - 1.5 m	1.00	nos.	5494.71	each	5494.71
d	150 mm dia CI d/f pipe - 1.5 m	2.00	nos.	3838.33	each	7676.66
e	200 mm dia CI d/f 90o bend	2.00	nos.	2759.34	each	5518.68
f	150 mm dia CI d/f 90o bend	2.00	nos.	1771.15	each	3542.30
g	200 x 100 mm CI d/f taper	1.00	nos.	1803.39	each	1803.39
h	150 x 100 mm CI d/f taper	2.00	nos.	1454.05	each	2908.10
i	200 mm dia CI d/f pipe - 0.30 m	4.00	nos.	2063.58	each	8254.32
j	150 mm dia CI d/f pipe - 0.30 m	4.00	nos.	1461.08	each	5844.32
k	200x200x200 mm CI all/f tee	1.00	nos.	4071.60	each	4071.60
l	200x200x150 mm CI all/f tee	2.00	nos.	3753.60	each	7507.20
m	200 mm dia CI Blank Flange	1.00	no	916.31	each	916.31
n	200 mm dia sluice valve as per IS	2.00	nos.	8477.67	each	16955.34
o	150 mm dia sluice valve as per IS	2.00	nos.	5157.99	each	10315.98
p	200 mm dia non return valve	1.00	no	11965.21	each	11965.21
q	150 mm dia non return valve	2.00	nos.	6678.16	each	13356.32
r	200 mm dia CI d/f pipe - 3.0 m	1.00	no	9781.02	each	9781.02
s	150 mm dia CI d/f pipe - 3.0 m	2.00	nos.	6807.46	each	13614.92
t	200 mm dia CI FI/Spi T.P	1.00	no	2132.52	each	2132.52
u	200mm dia Soc/spi pipe	2.50	m	2473.00	m	6182.50
v	200 mm dia CI d/f pipe - 0.5 m	3.00	nos.	2637.17	each	7911.51
2	Jointing the C.I Double flanged pipes and specials with rubber insertion to the required specifications with M.S bolts and nuts, complete and testing the pipe to the required pressure with water (including Cost of Jointing materials)					
(i)	200mm dia	22.00	nos.	192.50	each	4235.00
(ii)	150mm dia	20.00	nos.	175.00	each	3500.00
(iii)	100mm dia	3.00	nos.	101.00	each	303.00
TOTAL						193766.41

Signature of tenderer
with seal

SCHEDULE

Name of the Work: Providing alternate sewerage facilities to the affected colonies by backflow of storm water mixed with sewage in adjoining areas of nilamangai nagar in alandur municipality

Contract No. CNT/SEW/DEP/2049A/2010-2011

SI No.	Description of works	No.or Qty	Unit	Rate per Unit in Rs. P	unit	Amount in Rs. P
Bill No II c:CONSTRUCTION OF VALVE CHAMBER - 3.5 m x 2 m x 2.50 m						
1	Excavation in hard stiff clay, stiff black cotton, hard red earth, shales, muram, gravel stoney earth and earth mixed with small size boulders as per SS 20B with initial lead of 10m and lift of 2.0m etc. complete.	23.60	cu.m	34.80	cu.m	821.28
	2-3m depth	6.50	cu.m	38.40	cu.m	249.60
2	Supplying and filling sand for foundation and basement including watering, consolidating, ramming etc. complete.	1.80	cu.m	359.00	cu.m	646.20
3	Cement concrete 1:3:6 using 40mm gauge hard broken stone jelly for plain cement concrete works including laying in layers of not more than 15cm thick including ramming curing etc complete	1.80	cu.m	2192.00	cu.m	3945.60
4	Stock brick work with second class bricks in cement mortar 1:5 for 23cm thick wall including curing etc., complete.	6.90	cu.m	2958.00	cu.m	20410.20
5	Supplying and fixing C.I.steps.	9.00	nos	177.00	each.	1593.00
6	Plastering with C.M.1:3 for 12mm thick including curing etc complete.	69.40	sq.m	81.00	sq.m	5621.40
7	Cement concrete 1:2:4 using 20mm gauge hard broken stone jelly for plain cement concrete works including laying, ramming, curing etc complete	0.20	cu.m	2898.00	cu.m	579.60
8	Disposal of surplus earth	24.00	cu.m	59.70	cu.m	1432.80
9	Refilling with excavated soil (other than sand) complying with standard specifications for filling in foundations & basement ,	7.00	cu.m	12.20	cu.m	85.40
	TOTAL					35385.08

Signature of tenderer
with seal

SCHEDULE

Name of the Work: Providing alternate sewerage facilities to the affected colonies by backflow of storm water mixed with sewage in adjoining areas of nilamangai nagar in alandur municipality

Contract No. CNT/SEW/DEP/2049A/2010-2011

SI No.	Description of works	No.or Qty	Unit	Rate per Unit in Rs. P	unit	Amount in Rs. P
Bill No II d;CONSTRUCTION OF COLUMN AND ERECTION OF ISLB 300 FOR THE PROPOSED WELL						
1	Earthwork excavation in hard stiff clay, stiff black cotton, hard red earth, shales, Muram, gravel, stoney earth and earth mixed with small size boulders as per S.S. 20-B.with initial lead of 10m and lift of 2.0m.	4.00	cu.m	34.80	cu.m	139.20
2	Supplying and filling sand for foundations and basement including watering consolidating ramming, etc., complete	0.30	cu.m	359.00	cu.m	107.70
3	Cement concrete 1:3:6 using 40mm gauge hard broken stone jelly for plain cement concrete works including laying in layers of not more than 15 cm, thick, ramming, curing etc. complete	0.30	cu.m	2192.00	cu.m	657.60
4	Cement concrete 1:1.5:3 using 20mm gauge hard broken stone jelly for reinforced cement concrete works excluding cost of steel, centering, shuttering and cost of steel reinforcement but including laying in position, compacting, curing, finishing, etc., complete.					
	i) upto 1.5m from G.L	0.80	cu.m	3744.00	cu.m	2995.20
	ii) 1.5 m to 4.5m below G.L	0.70	cu.m	3780.60	cu.m	2646.42
5	Providing formwork with centering for soffits of reinforced cement concrete slabs or plain surface including strutting upto 3.0m high.	12.30	sq.m	458.00	sq.m	5633.40
6	Supplying, fabricating and laying in position MS rounds or RTS rods for RCC works including cost of reinforcement, binding wire, cutting, bending, cranking and tying in position with binding wire assembly etc., complete.For mild steel /RTS(all sizes)	150.00	kg.	43.00	kg.	6450.00

Signature of tenderer
with seal

SCHEDULE

Name of the Work: Providing alternate sewerage facilities to the affected colonies by backflow of storm water mixed with sewage in adjoining areas of nilamangai nagar in alandur municipality

Contract No. CNT/SEW/DEP/2049A/2010-2011

SI No.	Description of works	No.or Qty	Unit	Rate per Unit in Rs. P	unit	Amount in Rs. P
Bill No II d;CONSTRUCTION OF COLUMN AND ERECTION OF ISLB 300 FOR THE PROPOSED WELL						
7	Plastering with C.M.1:3 for 12mm thick including curing etc., complete.	7.40	sq.m	81.00	sq.m	599.40
8	Colour washing two coats over one coat of white washing	7.40	sq.m	20.00	sq.m	148.00
9	Refilling with excavated soil (other than sand) complying with standard specification for filling in foundation and basement etc. complete.	2.50	cu.m	12.20	cu.m	30.50
10	Supplying and fixing ISLB 300 of 37.7kg per m for 5.8m.	218.70	kg.	50.80	kg.	11109.96
11	Supplying & Erecting the pulley block of 1 MT capacity with facility for horizontal movement on the beam for lifting the pumpset etc complete (as per data enclosed)	1.00	no.	15701.00	no.	15701.00
12	Painting with priming coat on new iron work over ISLB 300	21.20	sq.m	25.00	sq.m	530.00
13	Painting two coats with superior quality of ready mixed paints of chocholate colour, light green or grey colour or any other approved colour over ISLB 300 (for new iron work two coats).	21.20	sq.m	68.00	sq.m	1441.60
TOTAL						48189.98

Signature of tenderer
with seal

SCHEDULE

Name of the Work: Providing alternate sewerage facilities to the affected colonies by backflow of storm water mixed with sewage in adjoining areas of nilamangai nagar in alandur municipality

Contract No. CNT/SEW/DEP/2049A/2010-2011

SI No.	Description of works	No.or Qty	Unit	Rate per Unit in Rs. P	unit	Amount in Rs. P
Bill No II e: SUPPLY, DELIVERY, ERECTION & COMMISSIONING OF ELECTRICALLY DRIVEN NON CLOG SUBMERSIBLE SEWAGE PUMPSETS WITH ALLIED ELECTRICAL WORKS FOR						
1	Supply, delivery, erection, testing and commissioning of non-clog submersible sewage pumpset with following duty point, driven by 3 Ph, 415 V, AC, 50 Hz, Electrical Motor with suitable weather proof cable (Copper) of total length of 35 m, control panel, Pedestal Coupling, guide wire / guide pipe (GI-50 mm dia) of length 10m, M.S.(GLVD) lifting chain of length 10m, necessary level controlling probes with sufficient length of armoured copper LTUG cable to connect the probe from the junction box to the control panel, fasteners including laying of pump cable under ground with suitable conduit and clamping on walls / trays and incidental civil works etc.complete.					
a)	Pump 1 - 1440 lpm against a total head of 10 m	2	Sets.	212300	Set	424600.00
b)	Pump 2 - 2880 lpm against a total head of 10 m	1	Set.	275400	Set	275400.00
2	Supply, delivery, erection, testing and commissioning of following sizes of power shunt capacitor for power factor improvement, suitable to operate on 415V, 3Ph,50Hz A/C supply, on suitable angle iron frame-works (37.5 mm x 37.5 mm x 6.24mm) at a height of 0.25m from the ground, including earthing and incidental civil works etc., complete.					
a)	Pump 1 - 4 kVAR	2	Sets.	1965	Set	3930.00
b)	Pump 2 - 6 kVAR	1	Set.	2765	Set	2765.00

Signature of tenderer
with seal

SCHEDULE

Name of the Work: Providing alternate sewerage facilities to the affected colonies by backflow of storm water mixed with sewage in adjoining areas of nilamangai nagar in alandur municipality

Contract No. CNT/SEW/DEP/2049A/2010-2011

SI No.	Description of works	No.or Qty	Unit	Rate per Unit in Rs. P	unit	Amount in Rs. P
Bill No II e: SUPPLY, DELIVERY, ERECTION & COMMISSIONING OF ELECTRICALLY DRIVEN NON CLOG SUBMERSIBLE SEWAGE PUMPSETS WITH ALLIED ELECTRICAL WORKS FOR						
3	Supplying and fixing of 100 Amps Triple Pole SFU with HRC fuses on suitable angle iron frame with earth connection only.	1	Set.	6976	Set	6976.00
4	Supply, delivery, erection, testing and commissioning of floor mounted M.V.panel with aluminium bus bars and consisting of the following accessories with necessary interconnections between busbars, switches and trunking box, measuring instruments such as voltmeters,ammeters with selectorswitches, energy meter,phase indicating lamps, etc., complete with incidental civil works and comprising of following;					
	Capacity of M.V. Panel - 100 Amps					
	100 A FP(SN) MCCB 25 kA (for EB) - 1 No					
	32 A TP MCCB 25 kA for Pump 1 - 2 Nos					
	40 A TP MCCB 25 kA for Pump 2 - 1 No					
	32 A TP MCCB 25kA (for Pump 1 cap.) - 2 Nos					
	63 A TP MCCB 25kA (for Pump 2 cap.) - 1 No	1	Set.	63400	Set	63400.00
5	Supplying and clamping of various sizes of PVC insulated PVC sheathed armoured aluminium LT UG cable by MS clamps on wall or in a trench to be excavated at a depth of 2 ½ ' putting 6" layer of sand and covering the cable with brick and sand refilling the earth to make good as directed.					

Signature of tenderer
with seal

SCHEDULE

Name of the Work: Providing alternate sewerage facilities to the affected colonies by backflow of storm water mixed with sewage in adjoining areas of nilamangai nagar in alandur municipality

Contract No. CNT/SEW/DEP/2049A/2010-2011

SI No.	Description of works	No.or Qty	Unit	Rate per Unit in Rs. P	unit	Amount in Rs. P
Bill No II e: SUPPLY, DELIVERY, ERECTION & COMMISSIONING OF ELECTRICALLY DRIVEN NON CLOG SUBMERSIBLE SEWAGE PUMPSETS WITH ALLIED ELECTRICAL WORKS FOR						
a)	From Existing main MVpanel to 100 Amps SFU & from there to 100 Amps MCCB Switch of MV panel (Wall)					
	size 3.5C, 50 Sqmm	10	m	422	m	4220.00
b)	From 32 A MCCB of MV Panel to Control Panel of Pump 1 (Wall)					
	size 4C, 6 Sqmm	20	m	157	m	3140.00
c)	From 40 A MCCB of MV Panel to Control Panel of Pump 2 (Wall)					
	size 4C, 10 Sqmm	15	m	168	m	2520.00
d)	From 32 A MCCB of MV Panel to Pump 1 Capacitors (Wall)					
	size 3C, 10 Sqmm	30	m	168	m	5040.00
e)	From 63 A MCCB of MV Panel to Pump 2 Capacitor (Wall)					
	size 3C, 10 Sqmm	15	m	168	m	2520.00
f)	From control Panel of Pump to Local P.B. Station size 3 core 2.5 sq.mm copper (Under ground)	60	m	203	m	12180.00
6	Supplying and fixing of cable gland and termination with Al. cable lugsfor the following sizes of PVC insulated PVC sheathed armoured alumunium LT UG cable and with earth connection.					
a)	size 3.5C, 50 Sqmm (EB)	4	jt	383	jt	1532.00
b)	Size 4C, 6 sq.mm (Pump 1)	4	jt	230	jt	920.00
c)	Size 4C, 10 sq.mm (Pump 2)	2	jt	236	jt	472.00
d)	size 3C, 10 Sqmm (Pump 1 capacitor)	4	jt	234	jt	936.00
e)	size 3C, 10 Sqmm (Pump 2 capacitor)	2	jt	234	jt	468.00
f)	Size 4 core 10 sq.mm (LDB)	4	jt	236	jt	944.00
g)	size 3 core 2.5 sq.mm copper	6	jt	224	m	1344.00

Signature of tenderer
with seal

SCHEDULE

Name of the Work: Providing alternate sewerage facilities to the affected colonies by backflow of storm water mixed with sewage in adjoining areas of nilamangai nagar in alandur municipality

Contract No. CNT/SEW/DEP/2049A/2010-2011

SI No.	Description of works	No.or Qty	Unit	Rate per Unit in Rs. P	unit	Amount in Rs. P
Bill No II e: SUPPLY, DELIVERY, ERECTION & COMMISSIONING OF ELECTRICALLY DRIVEN NON CLOG SUBMERSIBLE SEWAGE PUMPSETS WITH ALLIED ELECTRICAL WORKS FOR						
7	Supply delivery and fixing of out door weather proof junction box fabricated in MS sheet steel (12 SWG for front 14 SWG for other sides) near the suction well for terminating the Pump power cable and control cable on an angle iron frame at convenient height for working and above the local MFL with provision for terminal block & earthing as per IS including incidental civil works etc.,complete.					
a)	For Pump 1	2	Nos	2800	Each	5600.00
b)	For Pump 2	1	No	2800	Each	2800.00
8	Supply, delivery and fixing of out door wheather proof Local Push Button station in the compartment provided in the Junction Box with 1 No"ON" and 1 No "OFF" push buttons (the "OFF" push button shall be locable in "OFF" position).	3	Nos	2100	Each	6300.00
9	Earthing as per ISI specifications with necessary masonry work	2	Nos	1459	Each	2918.00
10	Supply and connection of earthing conductor including two coats of approved painting and laying between earth pit and equipments					
a)	25 x 6 mm GI Flat	50	m	71.00	m	3550.00
11	Operation and maintenance of the installation: Operation and maintenanceof the plant with all auxiliary equipment for a period of 120 days after satisfactory supply, erection , commissioning and operating the entire plant for 30 days, free of cost by the contractor before handing over the plant to the Board.	120	days	1049.4	day	125928.00
	Total					960403.00

Signature of tenderer
with seal

Name of Work: Providing alternate sewerage facilities to the affected colonies by backflow of storm water mixed with sewage in adjoining areas of Nilamangai nagar in Alandur municipality.

Contract No. CNT/SEW/DEP/2049A/2010-2011

Information on financial capability (works for which Bids have been submitted and works which are yet to be completed) as on the date of this tender.

Description of work	Place and state	Contract No.& Work order date	Name and address of the employer	Value of contract (Rs. Lakhs)	Stipulated date of completion	Value of works remaining to be completed Value of works remaining to be completed Rs. in Lakh	Anticipated date of completion

Signature of Tenderer with Seal

Name of Work: Providing alternate sewerage facilities to the affected colonies by backflow of storm water mixed with sewage in adjoining areas of Nilamangai nagar in Alandur municipality.

Contract No. CNT/SEW/DEP/2049A/2010-2011

MILESTONE

S.No	Name of work	Qty. of work to be completed in %	MILESTONES	
			Upto 4 months	Upto 8months
I	Suction Well	100%	38%	100%
II	Column& Beam	100%	35%	100%
III	Valve Chamber	100%	38%	100%
IV	Pipes & Specials Gravity sewer	100%	35%	100%
V	Providing pumping machinery and electrical installation.	100%	38%	100%

The Liquidated damages for the whole of the works are Rs 4740 /- per day and that for the milestone are as under,

For milestone 1 - Rs .1640.00 per day

For milestone 2 - Rs.3100.00 per day

Signature of Tenderer with Seal



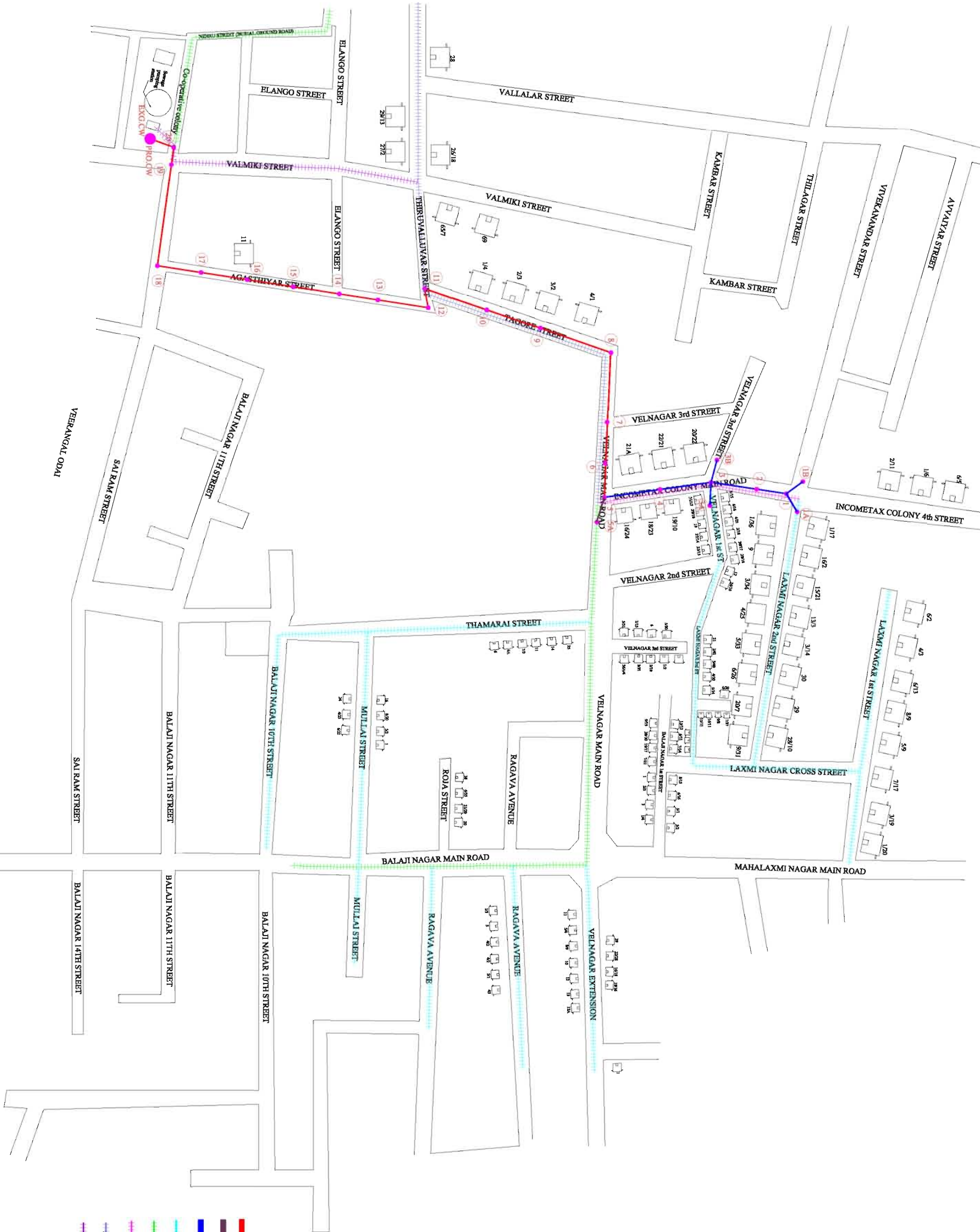
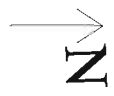
- EXISTING 200mm Ø SW PIPE
- EXISTING 300mm Ø DI PIPE
- EXISTING 800mm Ø DI PIPE
- EXISTING 1100mm Ø DI PIPE
- - - HOUSES AFFECTED DUE TO BACK FLOW OF SEWAGE DURING INTENSIVE RAIN

CHENNAI METROPOLITAN WATERSUPPLY & SEWERAGE BOARD

PROVIDING ALTERNATE SEWERAGE FACILITIES TO THE AFFECTED COLONIES BY BACKFLOW OF STORM WATER MIXED WITH SEWAGE IN ADJOINING AREAS OF NILAMANGAL NAGAR (ALANDUR MUNICIPALITY)

PLAN SHOWING THE EXISTING SEWER LINES

ALANDUR MUNICIPALITY



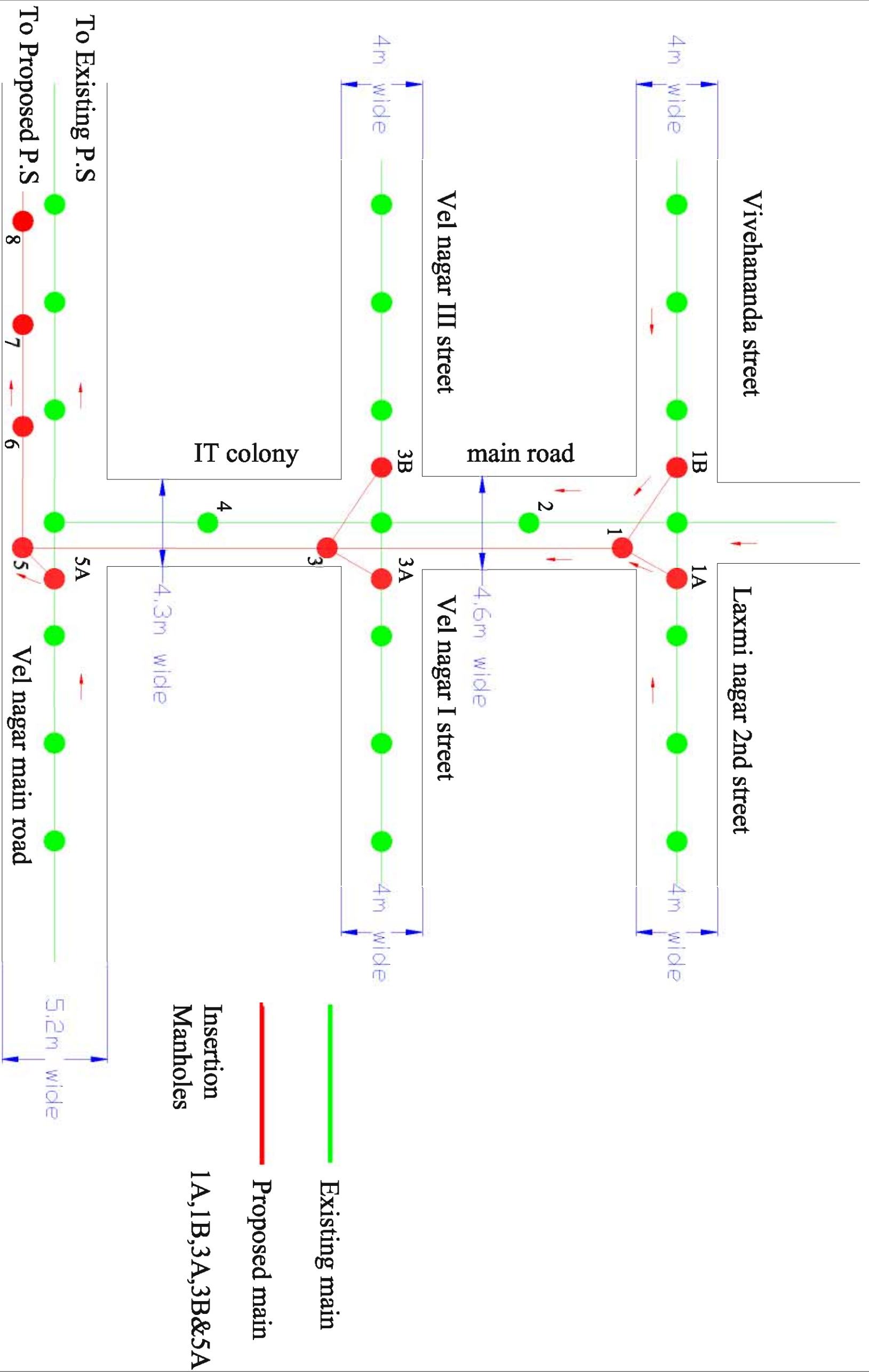
- PROPOSED 350mm Ø CI PIPE
- PROPOSED 300mm Ø CI PIPE
- PROPOSED 250mm Ø CI PIPE
- EXISTING 200mm Ø SW PIPE
- EXISTING 300mm Ø DI PIPE
- EXISTING 800mm Ø DI PIPE
- EXISTING 1100mm Ø DI PIPE
- EXISTING 1200mm Ø DI PIPE

HOUSES AFFECTED DUE TO BACK FLOW OF SEWAGE DURING INTENSIVE RAIN

CHENNAI METROPOLITAN WATERSUPPLY & SEWERAGE BOARD

PROVIDING ALTERNATE SEWERAGE FACILITIES TO THE AFFECTED COLONIES BY BACKFLOW OF STORM WATER MIXED WITH SEWAGE IN ADJOINING AREAS OF NILAMANGAL NAGAR (ALANDUR MUNICIPALITY)

PLAN SHOWING THE EXISTING AND THE PROPOSED SEWER LINES

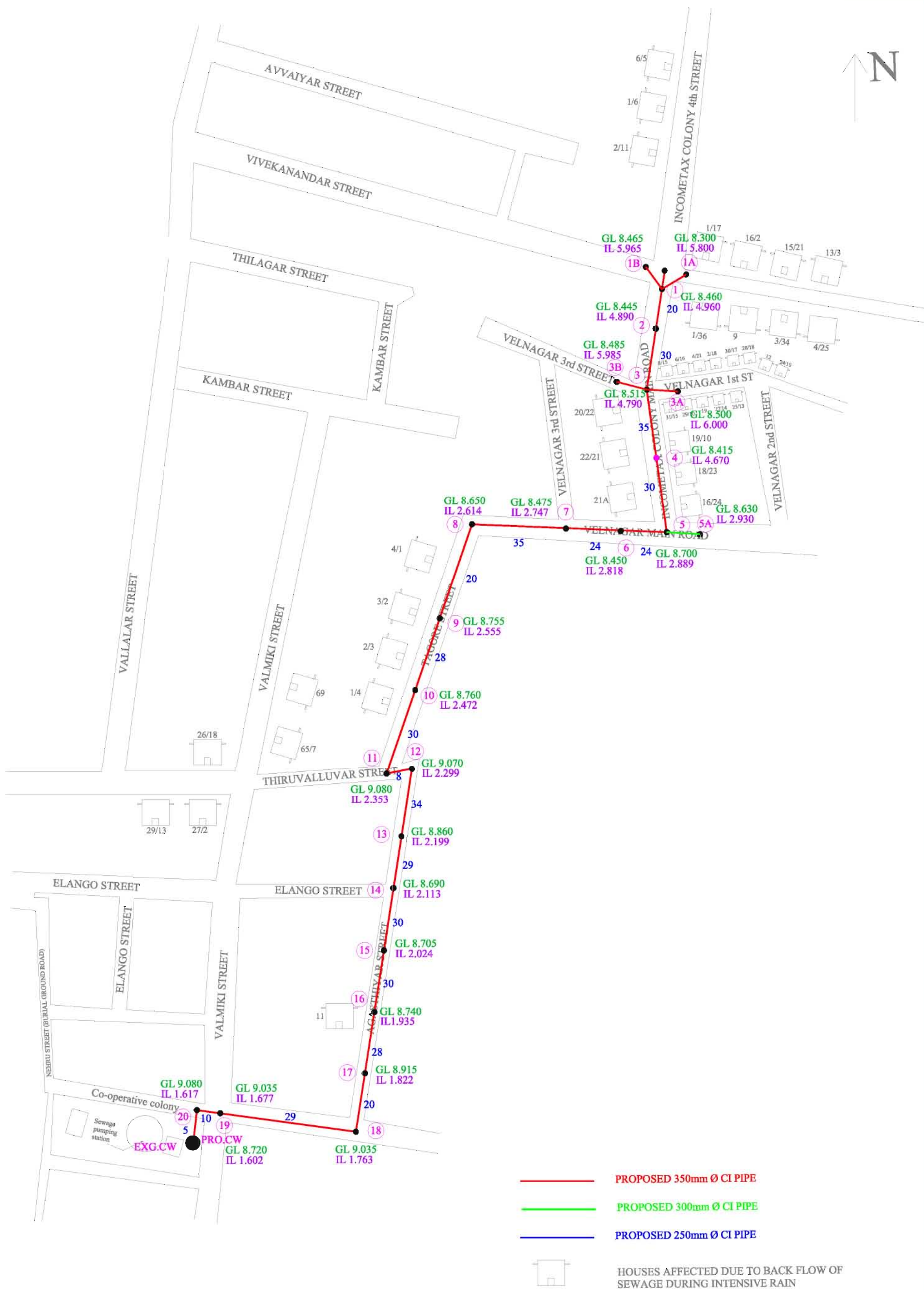


Existing main
Proposed main
Insertion Manholes
1A, 1B, 3A, 3B & 5A

CHENNAI METROPOLITAN WATERSUPPLY & SEWERAGE BOARD

PROVIDING ALTERNATE SEWERAGE FACILITIES TO THE AFFECTED COLONIES BY BACKFLOW OF STORM WATER MIXED WITH SEWAGE IN ADJOINING AREAS OF NIAMANGAI NAGAR (AIANDUR MUNICIPALITY)

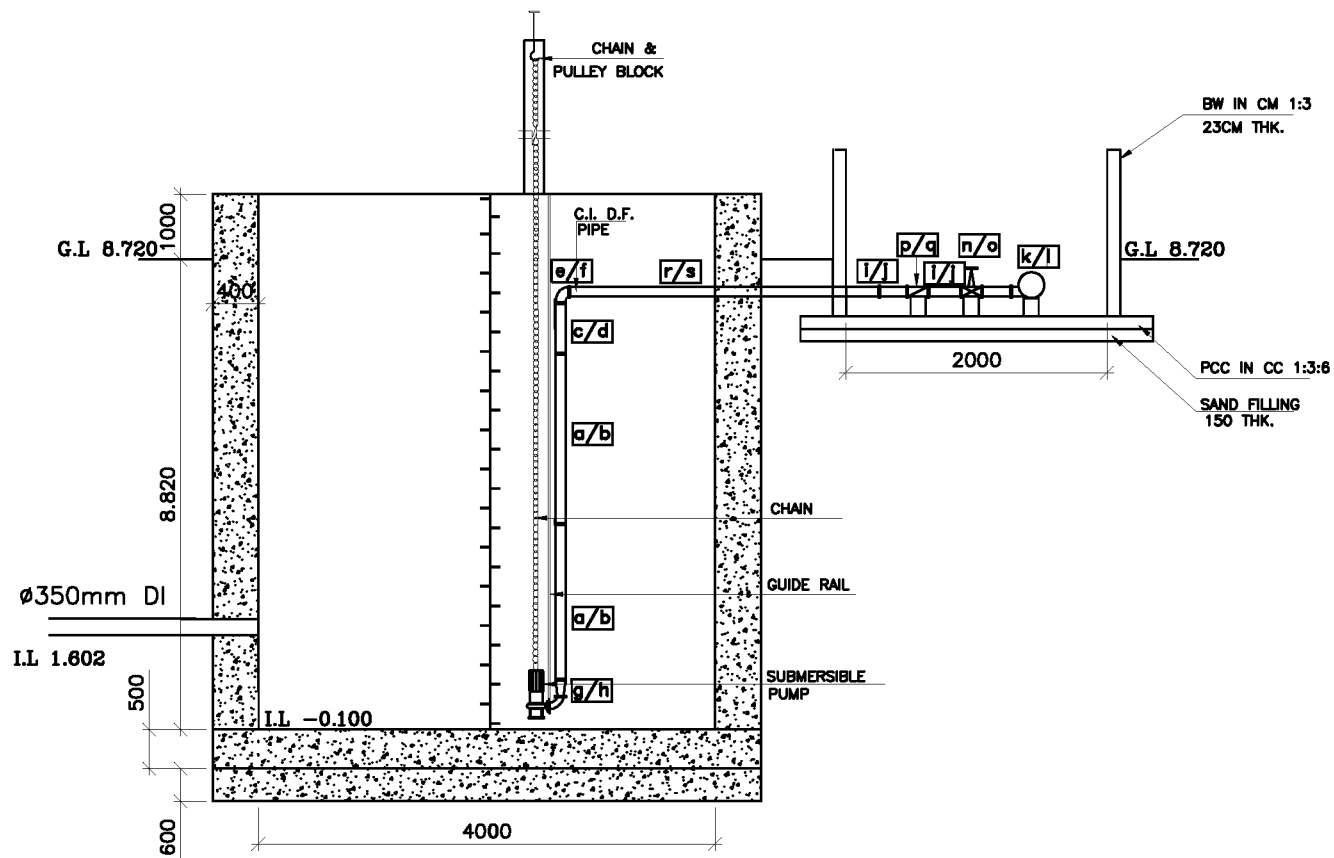
PLAN SHOWING THE PROPOSED INSERTION OF MANHOLES



- PROPOSED 350mm Ø CI PIPE
- PROPOSED 300mm Ø CI PIPE
- PROPOSED 250mm Ø CI PIPE
- HOUSES AFFECTED DUE TO BACK FLOW OF SEWAGE DURING INTENSIVE RAIN

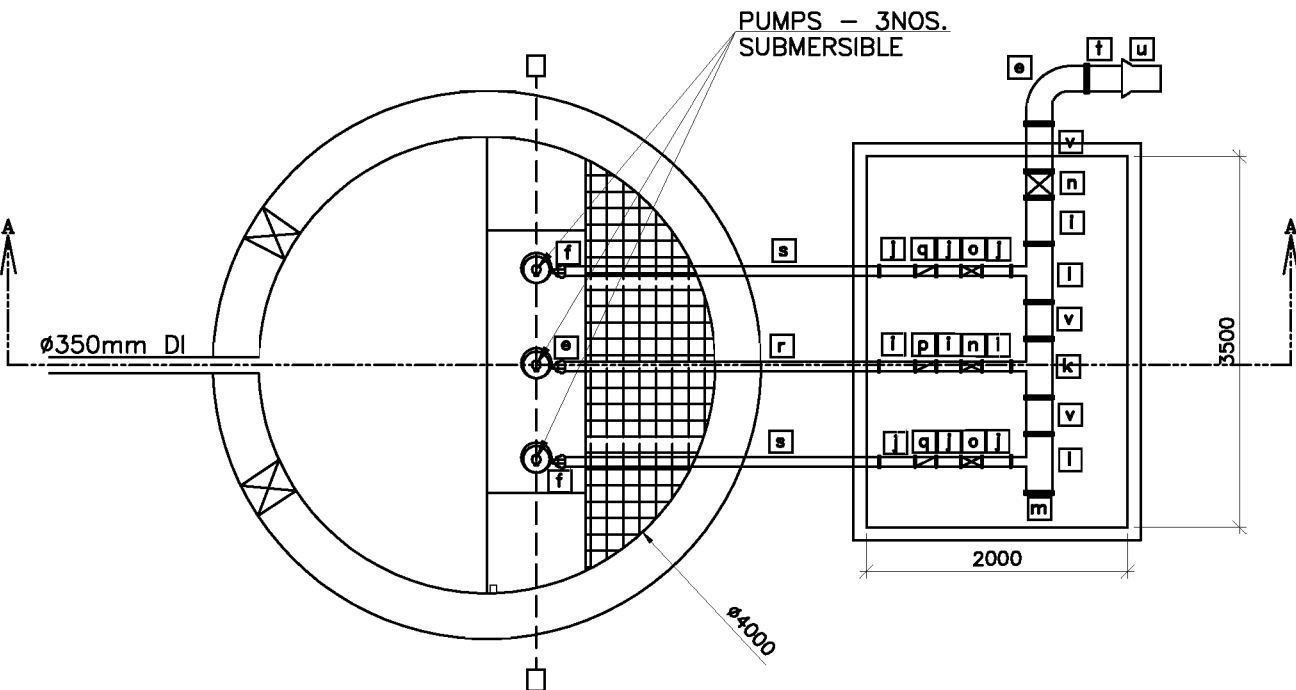
CHENNAI METROPOLITAN WATERSUPPLY & SEWERAGE BOARD

PROVIDING ALTERNATE SEWERAGE FACILITIES TO THE AFFECTED COLONIES BY BACKFLOW OF STORM WATER MIXED WITH SEWAGE IN ADJOINING AREAS OF NILAMANGAI NAGAR (ALANDUR MUNICIPALITY)



SUCTION WELL

SECTION A-A



SUCTION WELL

PLAN

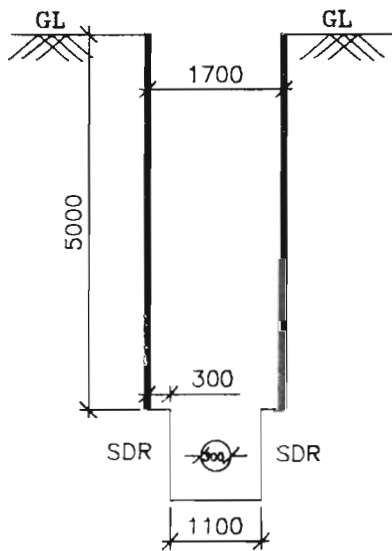
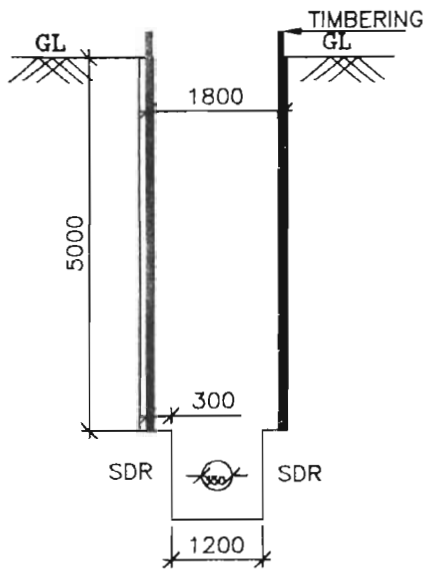
LEGEND

- a. 200MM CI D/F PIPE – 2.50M LG
- b. 150MM CI D/F PIPE – 2.50M LG
- c. 200MM CI D/F PIPE – 1.50M LG
- d. 150MM CI D/F PIPE – 1.50M LG
- e. 200MM CI D/F 90 DEGREE BEND
- f. 150MM CI D/F 90 DEGREE BEND
- g. 200X100MM CI D/F TAPER
- h. 150X100MM CI D/F TAPER
- i. 200MM CI D/F PIPE – 0.3M LG
- j. 150MM CI D/F PIPE – 0.3M LG
- k. 200X200X200MM CI A/F TEE
- l. 200X200X150MM CI A/F TEE
- m. 200MM CI BLANK FLANGE
- n. 200MM SLUICE VALVE
- o. 150MM SLUICE VALVE
- p. 200MM NON RETURN VALVE
- q. 150MM NON RETURN VALVE
- r. 200MM CI D/F PIPE – 3M LG
- s. 150MM CI D/F PIPE – 3M LG
- t. 200MM CI FL/SPI T.P.
- u. 200MM CI SOC/SPI PIPE
- v. 200MM CI D/F PIPE – 0.5M LG

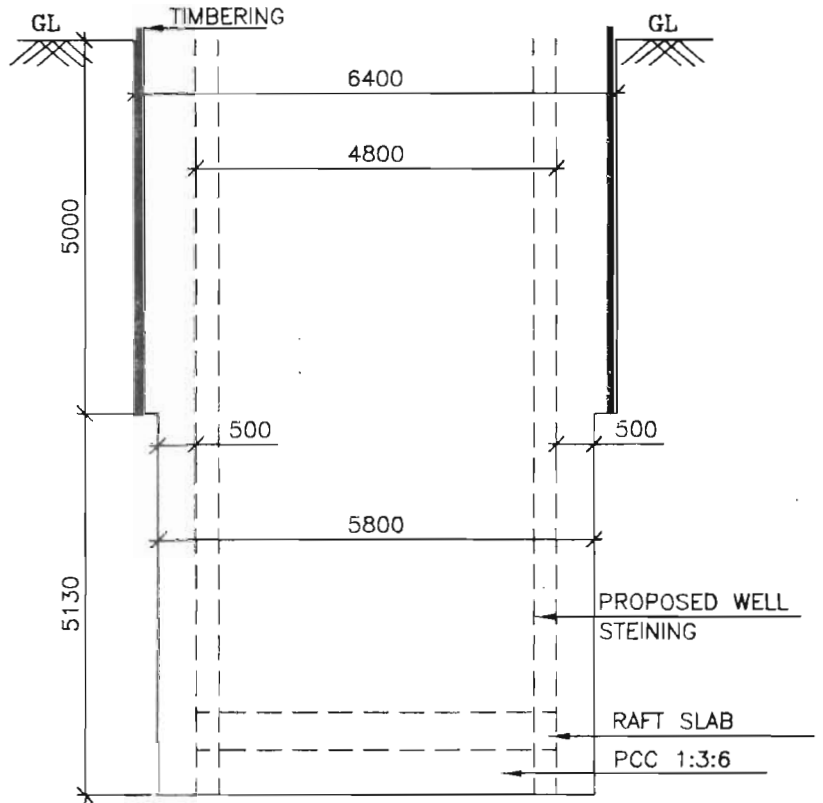
CHENNAI METROPOLITAN WATER SUPPLY & SEWERAGE BOARD

PROVIDING ALTERNATE SEWERAGE FACILITIES TO THE AFFECTED COLONIES BY BACKFLOW OF STORM WATER MIXED WITH SEWAGE IN ADJOINING AREAS OF NILAMANGAI NAGAR (ALANDUR MUNICIPALITY)

**CONSTRUCTION OF SEWAGE PUMPING STATION
ARRANGEMENT OF WELL**



TIMBERING FOR GRAVITY SEWER



TIMBERING FOR WELL

ALL DIMENSIONS ARE IN MM

CHENNAI METROPOLITAN WATERSUPPLY & SEWERAGE BOARD

PROVIDING ALTERNATE SEWERAGE FACILITIES TO THE AFFECTED COLONIES BY BACKFLOW OF STORM WATER MIXED WITH SEWAGE IN ADJOINING AREAS OF NILAMANGAI NAGAR (ALANDUR MUNICIPALITY)

DETAILS ON TIMBERING ARRANGEMENT

